



# fmachine

T R E M B L R



## ORIGINAL INSTRUCTIONS

Product models covered:

TREMBLR **ET-R** / TREMBLR





Thank you for purchasing the F-Machine Tremblr. **'F'** stands for **Fun** (honestly) and that is exactly what the F-Machine was designed for, **FUN**.

We have taken the utmost care in designing your F-Machine and we hope that it will service you and your friends for many years to come. Please read this entire instruction manual and all other accompanying documents carefully before using the product and keep it as a reference for future use. If you handover the product to someone else, give the instruction manual as well. Follow all warnings and information in the instruction manual.

Should you have any issues with your F-Machine or require spare parts, please contact your nearest F-Machine retailer or email us directly at [sales@f-machine.com](mailto:sales@f-machine.com).



## Instruction Manual Contents

Explanation of Symbols Used .....	4
General Safety Instructions .....	5
Product Overview and Description .....	10
Set-up Procedure .....	13
Fault Finding Procedures .....	26
Additional Information .....	28
Limited Warranty .....	29

## Explanation of Symbols Used

Throughout this instruction manual, the following symbols are used:



Caution / Warning



To reduce the risk of injury, the user must read the instruction manual



**Warning!** Danger of moving or rotating parts.

Keep hands and body parts away from external moving parts, risk of injury



Switch off product and disconnect it from the power source before assembly, cleaning, making adjustments, maintenance, storage and transportation



**Warning!** Danger of electric shock



**Warning!** Danger of hot surfaces and burning/scalding



Do not expose the product to rain or wet conditions (moisture/liquids)



Waste electrical products should not be disposed of with your household waste. Please recycle where facilities exist. Check with your Local Authority for recycling advice



Indicates Bluetooth control capability (depending on model purchased)



The product complies with the applicable European directives and an evaluation method of conformity with these directives was done



The product complies with the applicable UK directives and an evaluation method of conformity with these directives was done

## General Safety Instructions



**WARNING!** Read all safety warnings, instructions, illustrations and specifications provided with this product. Failure to follow all the instructions may result in electric shock, fire and/or serious injury. Save all warnings and instructions for future reference.

### Intended Use

- This product is intended for domestic use only. It is not intended for use related to any commercial activities.
- It is only to be used by persons aged 18+. Persons with reduced physical, sensory or mental abilities or those with lack of experience and knowledge of the safe use of the product should not use it.

### Operating Area Safety

- Keep the operating area clean and well lit. De-clutter the operating space and avoid dark areas.
- Do not operate the F-Machine in the presence of flammable liquids, gases or dust as these are potentially explosive atmospheres.

- Always place the F-Machine on a firm, flat and horizontal surface during operation. Never operate the F-Machine on a raised/unstable surface (such as a table, desk, chair or other item of furniture) or where there is insufficient flat space available or where it could be knocked over and cause injury or damage to property. Never place the F-Machine on soft furnishings and ensure that any moving parts never come into contact with loose items such as bed linen or furniture covers etc.
- Do not operate the F-Machine in a confined area.

## Electrical Safety

- Power plugs must match the outlet. Never modify the plug in any way.
- If using a travel adapter make sure it is the correct one for your region and has an earth continuity connection.
- Always ensure the F-Machine is connected to a power socket that has an earth connection, on a fused circuit, that is protected by a residual current device (RCD) and installed by a qualified technician.
- Always make sure the power socket the product is connected to is easily accessible.
- Avoid your body contacting grounded or earthed surfaces, such as radiators, fridges, electrical appliances or pipes, as this can increase the risk of an electric shock.
- Do not expose the F-Machine to wet conditions or rain. Liquids entering the F-Machine body or the power supply will increase the risk of electrical shock, can damage the product and potentially cause a fire or electrical fault.
- Do not abuse the power cord. Never use any of the cords to carry, pull on or move the F-Machine. Keep the power and control cords away from sharp edges and moving parts. Do not tread on cords/plugs and regularly inspect them for integrity along the length and at the connections. If any damage is found, the affected components should be replaced with new original parts.
- Do not operate the F-Machine outdoors.
- Do not modify any of the components of the F-Machine. Only use the standard parts that are supplied with the original product or F-Machine accessories.
- Do not use an F-Machine with a defective switch or controller. Always follow the start-up procedure detailed in this manual and conduct a trial run before using the F-Machine.

## Personal Safety

- Stay alert, pay attention to what you are doing and use common sense when operating the F-Machine.
- Never use the F-Machine when you are tired or under the influence of alcohol, recreational drugs or medications. Doing so may result in injury.
- Observe all the instructions in this manual regarding the start-up procedures. Ensure the switch on the interface panel is in the OFF position before connecting to the power source. Do not carry or move the F-Machine without first disconnecting it from the power source.
- Ensure that only one operator is using the controls of the F-Machine at any one time. Do not activate the controls whilst either yourself or another person is adjusting the F-Machine mechanism. Before making any adjustments to the F-Machine (including crank adjustment) always switch off the power source before touching the mechanisms.
- Always remove any tools that have been used for adjustment or maintenance prior to using the F-Machine. For instance, a wrench or key left attached to a moving part may fly off, cause jamming and/or cause an injury.
- Do not overreach. Keep a proper footing and/or appropriate body position and balance at all times.
- Wear appropriate attire. Do not wear loose apparel or jewellery that may be caught in any moving parts. Also be careful to keep long hair tied up and away from moving parts.
- Never use the F-Machine if your body is constrained in any way. Always be able to move freely whilst operating the F-Machine.
- Do not let familiarity gained from frequent use of the F-Machine allow you to become complacent and ignore the general safety principles outlined in this manual.
- Do not use the F-Machine when pregnant. If in any doubt, consult your doctor about any pre-existing medical conditions before using the F-Machine.

- An appropriate lubricant for the toy attachment material should be used where necessary.

## **Use, Care and Maintenance**

- Never deliberately jam the crank arm or the moving mechanism. Do not let anything touch the moving parts.
- Never leave the F-Machine running or powered on unattended.
- Never leave the F-Machine unattended where minors, pets or farm animals may come into contact with it.
- Do not let persons who are unfamiliar with the operation of the F-Machine or these instructions operate the F-Machine.
- Maintain the F-Machine in a clean and good order. With the power source disconnected, check over the F-Machine for damage and do not use it if any damage is found. Replace any damaged items with genuine replacement parts.
- If necessary, clean the mechanical parts of the F-Machine with a slightly damp cloth and dry them afterwards. Do not use any aggressive chemicals or solvents on the F-Machine.
- Keep handles and grasping surfaces dry, clean and free from oil and grease or other lubricants to allow for safe handling of the machine.
- Make sure all cables are kept away from moving parts and that they are laid out in such a way so as not to become entangled in the machinery.
- Never try to operate the F-Machine without first checking all bolts, nuts and connections are tight.
- Never allow anything (such as soft furnishings) to cover the cooling fan vents or air inlet on the interface panel, whilst in operation.





## Tremblr Box Contents

### In your F-Machine box you should have the following:

- 1 x F-Machine Tremblr black carry case containing the pump unit
- 1 x 110-240V power supply with mains supply lead
- 1 x mains power adapter (may vary depending on your region)
- 1 x remote control + 12 volt 23A (MN21) battery
- 3 x receiver units fitted with silicone sleeves
  - 5 inch length fitted with a MEDIUM sleeve (no lid)
  - 6 inch length fitted with a LARGE sleeve (no lid)
  - 7.5 inch length fitted with an X-LARGE sleeve (with lid assembly)
- 1 x receiver cleaning brush
- 1 x air pipe to connect the receiver to the pump unit
- 1 x 5mm hex key tool (for crank adjustment)
- 1 x original instructions manual (you're reading it)

Depending on the model you purchased, it may have the option to control it via a Bluetooth App on your mobile phone.

### Unpacking

Carefully remove the contents from the outer cardboard shipping container, taking care not to damage the packaging in case you need to re-use it in the future. You should find two receivers inside the packaging and the main black plastic carry case which contains the pump unit and other accessories.

## Product Description & Overview

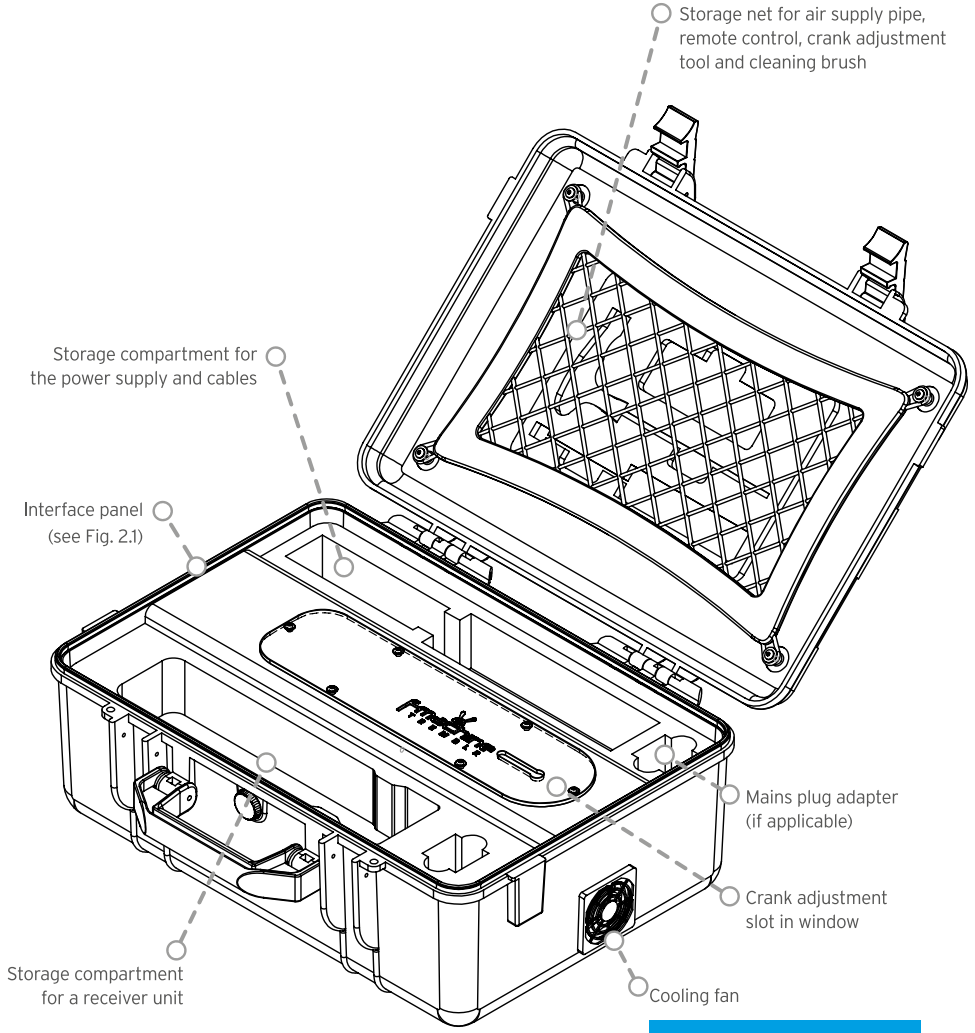


Figure 1

  
**WARNING!** Never cover this aperture during operation

## Interface panel connections on the side of the black carry case

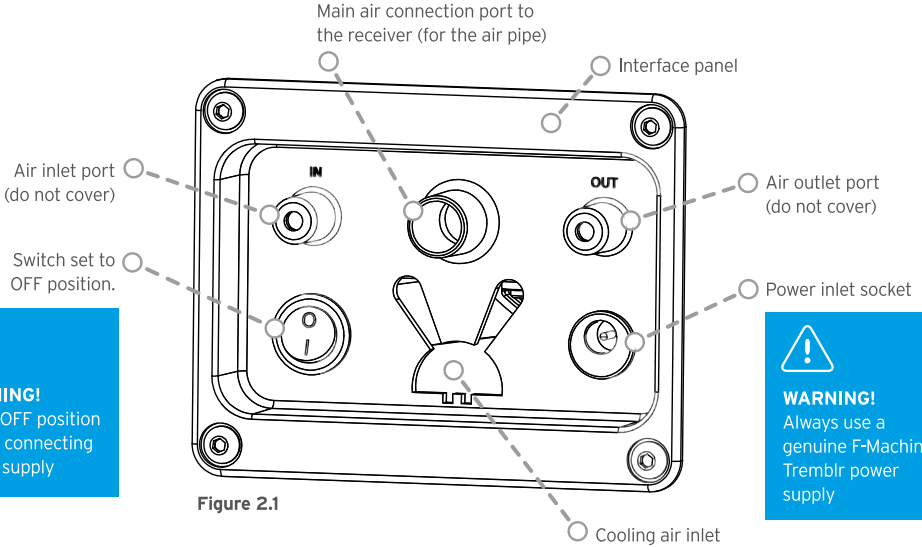


Figure 2.1



**WARNING!**  
Set to OFF position  
before connecting  
power supply



**WARNING!**  
Always use a  
genuine F-Machine  
Tremblor  
power  
supply



**WARNING!** Never cover this  
aperture during operation

## LED indicators and other internal components (visible through the window)

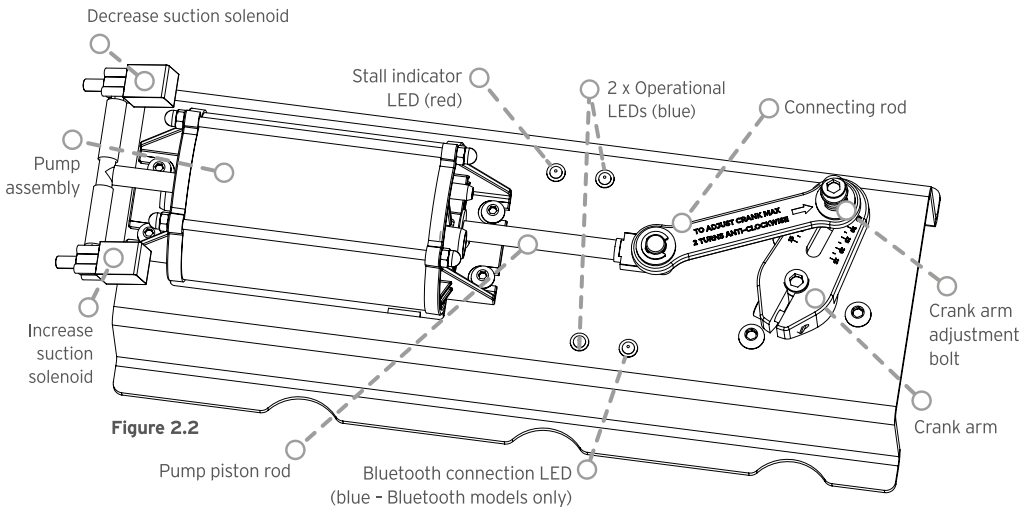
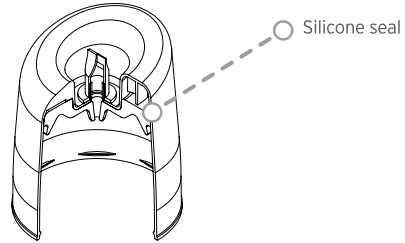


Figure 2.2

## The Receiver Unit

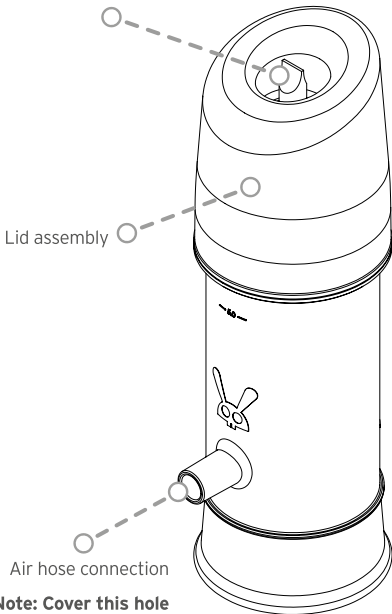
Lid Assembly (section)  
with silicone seal

Figure 3.3



One-way 'duckbill' valve

Lid assembly



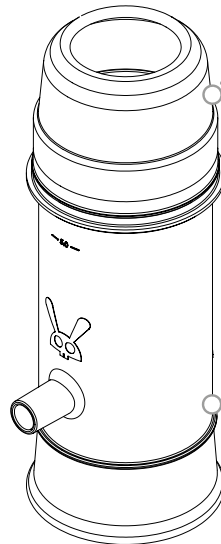
**Note: Cover this hole with your thumb or the shipping cap when you are cleaning the sleeve under running water.**

Shown with lid fitted

Figure 3.1

Upper sleeve termination line

**Note: The smaller end of the sleeve should be fitted to just above this ridge. If it goes beyond this ridge, the lid may not seal as intended, which will affect performance.**



Lower sleeve termination line

**Note: The larger end of the sleeve should be fitted to just below this ridge**

Shown with lid removed

Figure 3.2

## Tremblr Set-Up Procedure



Having just received your new Tremblr we know that you will be itching to discover it's mind-blowing capabilities. However, to get the most out of your experience please take the time to review the following set-up procedure in order to tailor the product to your unique requirements for the ultimate knee-trembling experience.

- 1 Getting familiar with the receiver and selecting the correct sleeve diameter
- 2 Connecting the receiver to the pump unit using the tube supplied
- 3 Setting the crank arm to correct initial setting
- 4 Connecting the power supply correctly
- 5 Getting familiar with the remote control functions and behaviour of the Tremblr
- 6 Bluetooth App interface
- 7 Using Tremblr for the first time
- 8 Cleaning and maintenance of your receiver
- 9 Customising the receiver to your exact requirements

Please see the following pages for detailed instructions of the steps above.

## **1** Selecting the correct receiver size

The Tremblr comes supplied with three different sized pre-assembled receivers. These should fit the majority of people, but of course there may be some exceptions. If this applies to you then you will need a **Custom Receiver Kit** which we also supply. Please order online or from your F-Machine stockist. The three standard sizes supplied with your Tremblr are:

1 x 5 inch receiver length fitted with a **Medium (M)** sleeve diameter

1 x 6 inch receiver length fitted with a **Large (L)** sleeve diameter (this should fit the vast majority of people)

1 x 7.5 inch length with an **X-Large (XL)** sleeve diameter

**Note: before using any of the receivers for the first time, please carefully rinse the receiver sleeve with fresh water. This can be done by removing the receiver cap assembly and placing the receiver under a running tap. Take care to place your thumb (or the shipping cap that was supplied if you still have it) over the air inlet connector to prevent water ingress and use the supplied cleaning brush if needed.**

Having rinsed the receiver sleeves, you will need to select the appropriate diameter. The best method is to lightly lubricate the inside of one of the sleeves (start with the 6 inch receiver fitted with the Large sleeve) then gently insert your erect penis into the sleeve. It should slide in with some mild resistance and create a seal. If it will not slide in easily then move up to the next size. If it is loose or there is a gap around the edges then you will need to move down to the Medium sleeve.

For most people this will complete the selection process and they will now be ready to move on to setting up the machine.

We will discuss fine-tuning the receiver sizes later on in the user manual (see section 9).

As a basic guide the sleeve sizes broadly correspond to the following erect penis diameters

Medium (M)	34mm
Large (L)	40mm
X-Large (XL)	47mm

## Imperial to Metric size conversion chart (length)

Inches	mm
5	127
5.5	140
6	152
6.5	165
7	178
7.5	191
8	203
8.5	216
9	229

### 2 Connecting the receiver to the pump unit

Remove the air hose from the storage net inside the lid of the black carry case and attach one end to the receiver inlet connector and the other end to the air outlet port on the interface panel (fig. 2.1). These connections are made using a simple push fit of the tube over the connecting spigots.

Please be patient. Do not start the pump unit running just yet!

### 3 Setting the crank arm to the correct initial setting

The Tremblr carry case contains an air pump that drives air pressure to

and from the receiver via a connecting hose. To control the amount of suction, adjustments can be made to the of the crank arm that drives the pump unit.

The crank arm is adjusted via a slot in the window using the 5mm hex key tool provided.

Use the following procedure to make the adjustment:

Insert the long end of the 5mm hex tool through the hole in the window above the crank. The tool should engage with the hexagonal key in the middle of the crank arm (fig. 4.1)

Rotate the hex tool in the appropriate direction so that the crank arm now points forwards in line with the slot in the window (fig. 4.2).

Reposition the tool into the other hexagonal bolt on the end of the connecting rod (fig. 4.3). Loosen the bolt by turning it about half a turn anti-clockwise. Now, using a side force exerted on the tool, slide the bolt so that the pump is set to the minimum displacement (15mm), as shown by the laser etched marks on the CNC crank arm. Tighten the bolt using a clockwise motion of the tool (do not over-tighten) and withdraw the hex tool from the window slot.

We recommend starting at the lowest crank setting, and once you have got used to using and controlling the Tremblr, you can gradually increase (+5mm increments) the crank displacement setting. Increasing the crank setting will increase the power of the suction. If the suction becomes too intense you can decrease the crank setting to the previous lower setting that worked.



**WARNING!** Never attempt to adjust anything on the F-Machine whilst it is operating/moving. Always disconnect from the mains power socket before making any adjustments or carrying out any maintenance.

Set the switch to the OFF position before connecting the power supply.

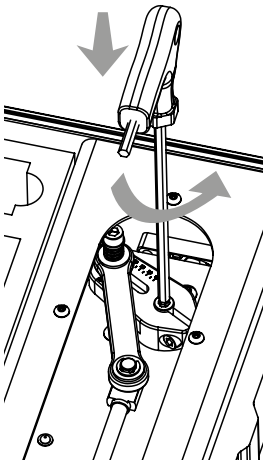


Figure 4.1

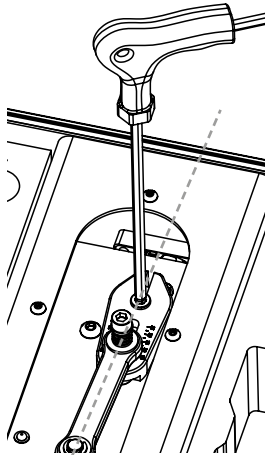


Figure 4.2

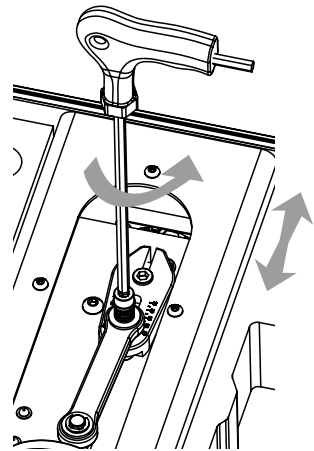


Figure 4.3

**Note:** The guard window is not shown in the illustration for clarity - never operate the machine without the window installed.

**Note:** sometimes it is not possible to adjust the crank position because the connecting rod is obscuring the hexagonal drive bolt shown in Figure 4.1 above. In this case you need to use the remote control to turn the motor a half turn or so until the 5mm hex tool will fit. See section 5 for details on the remote functions.



#### 4 Connecting the power supply to the F-Machine Tremblr

Before connecting the power supply to the Tremblr pump unit, first check that the switch on the interface panel on the left hand side of the plastic carry case is in the OFF position. You can now install the connector from the power supply into the power inlet socket on the interface panel. The power supply can now be connected to a mains power socket and turned on. The LED indicator on the power supply should now be lit.

Finally, the switch on the interface panel can be turned ON. The 2 blue operational LEDs inside the F-Machine pump unit should now light up and the cooling fan should start running, giving you an indication that the machine is live.

#### Power supply information

The F-Machine power supply is a universal 110 - 240 volt unit that will adapt to the mains voltage of your country. There is no need to make any adjustment. The F-Machine power supply should be supplied with a region specific mains power lead (IEC 60320-1 C13). There may also be an earthed mains adapter to cover different regions. If you

reside outside of these regions, you may have to obtain an earthed IEC 60320-1 C13 cable (main power lead) for your country which you can plug into the F-Machine power supply. These are commonly found on personal computers and other similar equipment. The alternative is to use an earthed adapter plug suitable for your region.



**WARNING!** Always ensure that the F-Machine is connected to an electrical outlet that has an earth connection and is protected by a miniature circuit breaker (MCB), and a residual current device (RCD) circuit which reduces the risk of electric shock.

#### 5 Operating Tremblr with the supplied remote control

Before using the Tremblr for the first time, it is recommended that you familiarise yourself with the remote control handset and its functions.

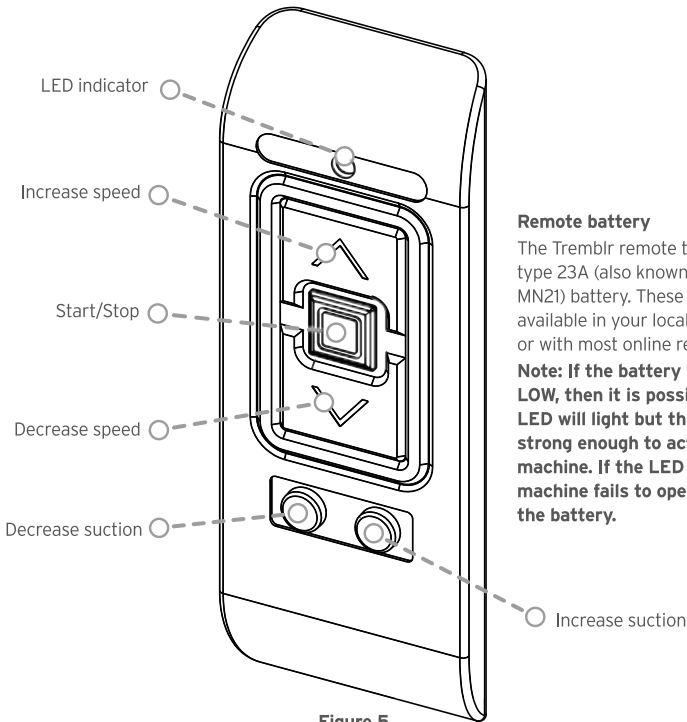
The remote control has 5 buttons and an LED indicator.

- Start/Stop
- Increase Speed

- Decrease Speed
- Increase Suction
- Decrease Suction

Before operation, first fit the type 23A (MN21) battery provided into the rear of the remote control handset and replace the battery cover. Press one of the buttons and the LED should light indicating correct battery installation.

If the machine has just been powered on, the default starting speed will be zero RPM. Press the Increase Speed button a few times and then press the START/STOP button. The pump should start to turn slowly. If you look into the end of the receiver you should see the sleeve beginning to move in and out.




**Remote battery**

The Tremblr remote takes a 12 volt, type 23A (also known as an A23 or MN21) battery. These are commonly available in your local hardware store or with most online retailers.


**Note: If the battery voltage is LOW, then it is possible the red LED will light but the signal is not strong enough to activate the machine. If the LED lights but the machine fails to operate, replace the battery.**

Figure 5

The speed of the machine can now be increased or decreased by further pressing the Increase or Decrease Speed buttons. Once the machine is operating at the desired speed, it can be stopped by pressing the START/STOP button. By pressing the START/STOP button again, the machine will start at the same speed as before. However, if the machine is powered off or disconnected from the mains, the default starting speed will be zero RPM once again.



**Note: All Tremblr machines come with a remote control handset to control the machine. Depending on the product type that you purchased, you may also have Bluetooth capability to control the Tremblr - refer to Section 6 about using the Bluetooth App.**



The above procedure covers the speed at which Tremblr will massage your penis. Additionally, the suction levels can be controlled by using the Increase and Decrease Suction buttons. With increasing suction levels, the Tremblr receiver will effectively move down your penis towards your body. Decreasing the suction levels will cause the receiver to move away from your body. If you experience the receiver falling off the end of your penis, you can either decrease the pump displacement via the crank arm setting, or increase the suction via the remote control. Most people will need to experiment with the settings to get them just right for their needs, but once the optimum setting has been found, there will be no need for any further adjustments.

**Please note:** the suction provided by the Tremblr is very powerful. Using a large crank displacement whilst simultaneously applying maximum suction via the remote will result in Tremblr sucking air into the receiver. If you experience any painful sensations, decrease the setting on the crank arm.

**Note: The F-Machine Tremblr electronics have been designed to cut out if the motor is stalled for any reason. This is most likely to happen if the pipe between the pump unit interface panel and the receiver becomes kinked over and blocks the air flow. You will get an indication of this because the pump will stop turning and the red stall indicator LED on the chassis will light up (visible through the window - see fig. 2.2).**

If this happens, rectify the issue and restart the machine with the remote control handset. Never attempt to stall the machine on purpose.



**SAFETY WARNING:** If the machine is operated for extended periods and/or at high speed and loads the motor may become HOT. There is a fan fitted to the plastic carry case to prevent the motor and electronics overheating and suffering damage. Under normal circumstances the Tremblr can run for extended periods, but it is very important that neither the fan or the air inlet port on the interface panel is blocked during operation. The Tremblr should only be placed on stable, flat & dry surface (such as the floor) and not near soft furnishings that could obscure the fan or air inlet port. The Tremblr should never be left plugged in or operating unattended.



## 6 Operating with the F-Machine Connect Bluetooth App

If you purchased a Tremblr with Bluetooth capability you can also download the free 'F-Machine Connect' App to your iPhone or Android mobile device.

Download the App from the App Store (iPhone) or Play Store (Android) in the usual fashion and follow the installation instructions.

Tremblr Bluetooth models can be distinguished from non-Bluetooth models in the following main ways.

- The shipping carton should indicate if your model has Bluetooth capability
- The centre cover inside the Tremblr pump box is blue in colour (non-Bluetooth version is black)
- There is a 'Bluetooth connection' LED (blue) on the chassis which is visible through the window (see fig. 2.2)

The App is designed to emulate the appearance of the physical remote control unit that is supplied with the product. See the notes in Section 5 on how to use it.



The App should list all switched on machines available for connection. Select your 'Tremblr' from the list and it should connect automatically. The 'Bluetooth Connection' LED on the chassis should light up. Once your Tremblr is paired to the App, the remote control that came with your product will stop responding, until the App is closed or disconnected.

## 7 Using the Tremblr for the first time

Having understood how the Tremblr functions, you can now get buckled in and prepared for the ride of your life!

First you should apply a generous amount of lubricant to the mouth of the receiver (using your finger to spread it around evenly) and set the Tremblr cycling at a slow speed via the remote control (or Bluetooth App).

Next place the receiver over the tip of your penis (it helps if you have an erection, but it is not necessary as Tremblr should draw you in even if you are flaccid).

It is recommended to start softly and slowly until you get used to the sensations and the control of the machine.

**Important Note:** We recommend that you only use a quality water-based lubricant with the Tremblr. If you are going to use the Tremblr for extended periods we recommend that you periodically (every few minutes) remove the receiver from your penis and add more lubricant to prevent 'helmet chaffing'. Remember that Tremblr has been designed to Suck and Fuck you mercilessly, unlike inferior manually operated masturbators... you have been warned, proceed at your own risk!

## 8 Cleaning and maintenance of the Tremblr Receiver

After each use, the receiver lid should be removed and both the main body and the lid should be rinsed thoroughly under running water. The Tremblr is supplied with a cleaning brush and this can be used in conjunction with a mild soap to clean the sleeve.

**Note:** When cleaning the receiver it is necessary to place your thumb/finger (or the shipping cap if you still have it handy) over the air inlet port on the receiver to prevent water getting into the cavity between the main body and the sleeve. If this occurs, water may be ingested into the pump unit and cause permanent damage to it.

The lid can simply be rinsed under the tap, but for a more thorough cleaning, the silicone seal inside the lid can be removed by grasping the internal nipple and removing it from the lid assembly.

After the components are dry the seal can be replaced by hand.

If looked after carefully, the sleeves should give you a long service life (about 10 hrs usage, at which point we recommend you change them for hygienic reasons). We also advise the receiver is changed after 20 hrs use.

Both of these items can be purchased from our website, via email (sales@f-machine.com) and from all good F-Machine stockists.

## 9 Customising your receiver (advanced user)

The Tremblr comes supplied with three different sized pre-assembled receivers. These should fit the majority of people, but of course there will be some exceptions.

The three standard sizes supplied with your Tremblr are:

1 x 5 inch receiver length fitted with a **Medium (M)** sleeve diameter

1 x 6 inch receiver length fitted with a **Large (L)** sleeve diameter (this should fit the vast majority of people)

1 x 7.5 inch length with an **X-Large (XL)** sleeve diameter

But what happens if you need a 6 inch receiver length but you are packing an XL girth? Well, in this case, you can remove the XL sleeve from the 7.5 inch receiver and fit it to the 6 inch receiver. You will notice however that the sleeve will be too long and needs to be cut shorter. The following section describes the procedure for fitting a sleeve to the receiver.

The first thing to note is that the sleeve material is thicker at the inlet end compared to the lid end. It is very important to not mix them up otherwise the receiver will not function properly. You can tell which is the inlet end because it has the flared diameter and there are no ribs on the outside.


First remove the Medium sleeve from the 6 inch receiver and place it on one side.

Next remove the XL sleeve from the 7.5 inch receiver, noting the orientation of the thicker inlet section.


Now fit the 7.5 inch sleeve to the 6 inch receiver, starting with the inlet end. Fit the sleeve up to the lower sleeve termination line moulded on the outside of the receiver tube (see fig. 6.2).

Next, pull the loose end out of the top of the receiver, and make sure it is pulled tight until there are no kinks or wrinkles.

Measure along the sleeve so that there is one inch (25mm) of excess sleeve material protruding beyond the plastics. Make a mark on the sleeve with a biro, then using a sharp pair of scissors shorten the sleeve, using one of the ribs as a cutting guide to make sure it is cut straight (see figure 6.1).



**Note: It is very important that there are no cuts or nicks in the end of the sleeve before it is fitted, as this can lead to a tear in the sleeve. Always ensure you have a clean cut all the way around.**



Finally fit the shortened end of the sleeve to the top of the receiver by folding the sleeve back and over itself on to the plastic, making sure that it is fitted without twists or any double-folds in the material. The sleeve should be fitted up to the upper sleeve termination line, but not beyond as this may affect the lid sealing (see figure 6.2).

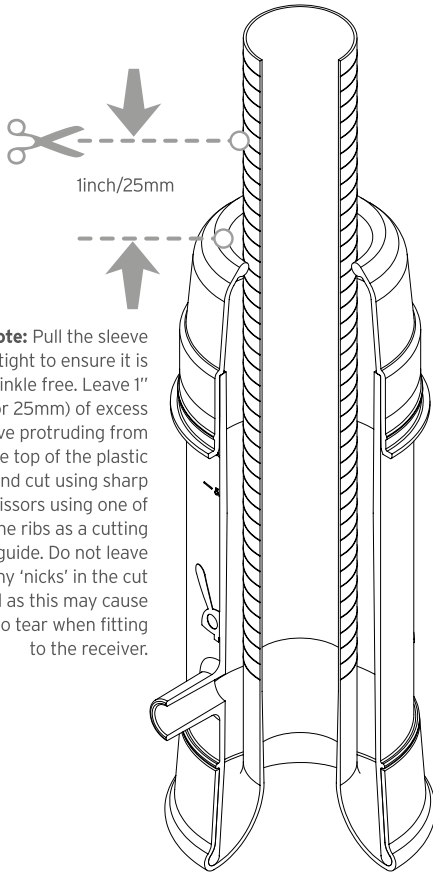
Always make sure the plastics and sleeve are thoroughly dry before fitting, to avoid it slipping.

In the above scenario, the sleeve is shortened. But clearly the 5 inch medium sleeve can not be fitted to the 6 inch receiver because it will be too short. If you require a 6 inch receiver with a medium sleeve (or some other incompatible combination) you have the following options.

- Purchase a new full length sleeve from us and fit it to your receiver (you will need to cut it to length)
- Purchase a Custom Receiver Kit from us - you will be supplied with a kit that enables you to customise the length of your receiver plastics anywhere from 5 inches to 9 inches and fit it with either a Medium, Large or X-Large sleeve.

Please see our website [www.f-machine.com](http://www.f-machine.com) for details or contact us on [sales@f-machine.com](mailto:sales@f-machine.com).





**Note:** Pull the sleeve tight to ensure it is wrinkle free. Leave 1" (or 25mm) of excess sleeve protruding from the top of the plastic and cut using sharp scissors using one of the ribs as a cutting guide. Do not leave any 'nicks' in the cut end as this may cause it to tear when fitting to the receiver.

Figure 6.1

**Note:** Fold the end of the sleeve back over the receiver plastic end piece to complete the fitting procedure.

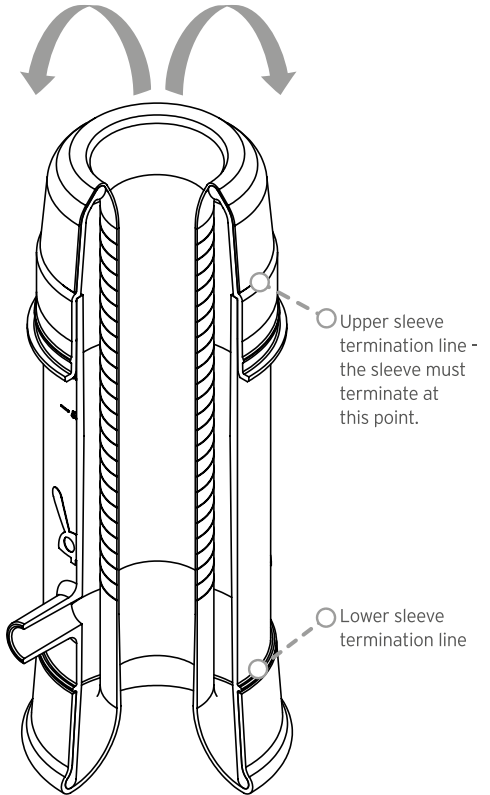


Figure 6.2

Sequential checklist - carry out in following order	What to expect under normal conditions
<b>1. Is the power supply working correctly?</b>	<ul style="list-style-type: none"> <li>• The blue LED on power supply should light up when switched on</li> <li>• No signs of visible damage to cables or connectors</li> <li>• Mains cable should be fully pushed into power supply</li> <li>• Output voltage should be ~24Vdc (use voltmeter)</li> </ul>
<b>2. Is the Pump Unit working?</b>	<ul style="list-style-type: none"> <li>• The 2 blue operational LEDs should light (inside the window - see fig. 2.2)</li> <li>• Case cooling fan should start (audible)</li> <li>• Crank arm should visibly 'kick' when switched on</li> <li>• Red stall indicator LED inside window should NOT light up (see fig. 2.2)</li> </ul>
<b>3. Is the remote control handset working?</b>	<ul style="list-style-type: none"> <li>• The red LED indicator on the remote should light when a button is pushed</li> <li>• Note: a low battery (&lt; 11V dc) may not give sufficient signal strength to activate the machine but the red LED may still light</li> </ul>
<b>4. Does the remote handset control the motor speed and the suction functions?</b>	<ul style="list-style-type: none"> <li>• The increase/decrease speed buttons should control the motor speed over the full speed range (0 to 180 rpm)</li> <li>• The suction buttons should control the 2 internal solenoids (audible clicking sound - see Fig. 2.2)</li> <li>• If the Bluetooth App (Bluetooth models only) is paired to the machine, the remote control will not respond until the App is disconnected or closed</li> </ul>
<b>5. Is the pump unit abnormally noisy?</b>	<ul style="list-style-type: none"> <li>• Under normal operation, the pump unit should be quiet, with slightly increasing noise under full load (receiver attached)</li> <li>• It is normal to have slightly increased knocking noises under full load with the receiver attached. This is because the pump is having to work harder</li> </ul>
<b>6. Is there an air leak?</b>	<ul style="list-style-type: none"> <li>• There should be no air leaks internal to the pump unit - conduct a stall test for internal leaks</li> <li>• There should be no air leaks in the system - conduct a system leak-down test</li> </ul>
<b>7. Does the receiver perform as expected/does it suck?</b>	<ul style="list-style-type: none"> <li>• The receiver sleeve should cycle in and out when the pump is running</li> <li>• The sleeve should fit snugly on your penis with no gaps around the edge</li> <li>• The sleeve should slide on your penis with minimal resistance</li> <li>• Excessive 'slurping' noises should not be heard during use</li> <li>• The receiver should not fall off the end of your penis</li> </ul>

Please work through the above fault finding guide to identify the issue. If you need to contact F-Machine, **please send a detailed video via email** to highlight the specific issue. Please do not send verbose emails without including images or video of the issue.

Checks to perform (if not working)	Possible causes/resolutions
<ul style="list-style-type: none"> <li>• Check wall socket working (with another appliance)</li> <li>• Check plug, fuse (if applicable), swap mains power cable if needed</li> <li>• Check/swap travel adapter (if using one)</li> <li>• Check wires between power supply and the interface panel for damage and replace if needed</li> </ul>	<ul style="list-style-type: none"> <li>• If still not working, replace the power supply with a genuine part</li> <li>• Contact F-Machine</li> </ul>
<ul style="list-style-type: none"> <li>• Check the 90 degree power connector is fully inserted into interface panel</li> <li>• Check switch on interface panel set to ON position (see fig. 2.1)</li> <li>• Check nothing is visibly jamming the fan</li> </ul>	<ul style="list-style-type: none"> <li>• No operational LEDs - loose internal connection or PCB failure</li> <li>• Fan not working - fan not connected or faulty fan</li> <li>• Red stall LED lights - jammed, faulty or disconnected fan</li> <li>• Crank arm does not 'kick' - loose internal connection or PCB failure</li> <li>• Contact F-Machine</li> </ul>
<ul style="list-style-type: none"> <li>• Check if the battery terminals are corroded in the remote control</li> <li>• Check battery fitted OK/correct polarity (the spring is negative)</li> <li>• Measure the battery voltage with a voltmeter if you have one (~12V dc)</li> </ul>	<ul style="list-style-type: none"> <li>• If terminals are corroded, replace remote</li> <li>• Replace the battery with a quality brand (type MN21/A23)</li> <li>• If the LED indicator still does not light up, replace the remote</li> <li>• You will need to establish which remote code you have (T1, T2, A or B)</li> <li>• Contact F-Machine</li> </ul>
<ul style="list-style-type: none"> <li>• Observe the crank speed through the window</li> <li>• Confirm the solenoids are clicking audibly (interface panel end)</li> <li>• Alternative - check the functions with the Bluetooth App (if applicable)</li> </ul>	<ul style="list-style-type: none"> <li>• No response - low battery voltage in remote control, replace battery</li> <li>• No response - possible mis-matched remote code for the machine - contact F-Machine</li> <li>• If Bluetooth App works, but remote does not, replace the remote control</li> <li>• Erratic speed control, or runs at full speed without control - probable PCB failure - contact F-Machine</li> <li>• Runs, but cannot achieve full speed - Possible PCB failure or jammed/faulty pump mechanism - contact F-Machine</li> </ul>
<ul style="list-style-type: none"> <li>• Check the crank arm adjustment bolt is tight, using hex tool (see fig. 2.2)</li> <li>• Check if the oval nut has fallen off the back of the crank arm</li> <li>• Check the pump piston rod is moving in a linear motion</li> </ul>	<ul style="list-style-type: none"> <li>• Knocking sound occurs at maximum and minimum pump travel - probable cause is defective motor gearbox/bearings - contact F-Machine for a replacement motor</li> <li>• Piston rod does not move in linear motion - pump chamber assembly is damaged - contact F-Machine for a replacement pump chamber assembly</li> </ul>
<ul style="list-style-type: none"> <li>• Stall test - disconnect receiver, set crank to maximum, run the machine at &gt; half speed. Place your finger over the outlet port - the machine should stall and the red stall LED should light up</li> <li>• Leak-down test: disconnect the power supply &amp; receiver. Using the hex tool, drive crank to position shown in fig. 4.1. Reconnect the receiver, drive crank to position shown in fig. 4.2. The sleeve should inflate and hold pressure &gt; 30 seconds</li> </ul>	<ul style="list-style-type: none"> <li>• Stall test - if the machine does not stall there is probably an internal air leak Contact F-Machine</li> <li>• Leak-down test - if the system does not hold pressure there is a small leak in the system. Find and fix the leak if external to the pump unit or contact F-Machine for assistance</li> </ul>
<ul style="list-style-type: none"> <li>• Ensure you have selected the correct sleeve size (see Set-up Procedure section 1)</li> <li>• Ensure the receiver lid is fitted properly and the internal seal is present (see fig. 3.3)</li> <li>• Ensure the duckbill valve is fitted correctly and is working (see fig. 3.3)</li> <li>• The receiver air hose connection should be unobstructed</li> </ul>	<ul style="list-style-type: none"> <li>• Make sure the sleeve is fitted to the receiver correctly (see fig. 6.2)</li> <li>• Clear any obstructions between pump unit and receiver eg. blocked ports or kinked hoses</li> <li>• Check the duckbill opens correctly (pinch it) and that it is not blocked with lube. Pinch to squeeze lube out</li> <li>• If sleeve is 'slurping', reduce crank displacement and retest</li> <li>• If receiver is falling off, decrease the crank setting and/or press the increase suction button</li> </ul>

For replacement remotes, you will need to provide the remote code (T1, T2, A or B) shown on the reverse of the remote, or on the sticker inside the window.

## Additional Information

### Service and repair

Have your F-Machine serviced by a qualified repair person using only genuine replacement parts. This will ensure the safety of the F-Machine is maintained.

Never attempt to service or modify items such as the power supply or electronics which are unserviceable and could expose you to mains voltages. Modification to the electronics may affect the safe operation of the F-Machine and should not be attempted under any circumstances.

### Technical specification

Product models:	F-Machine Tremblr / Tremblr Bluetooth
Power supply model:	PS-05
Power supply rated voltage:	110-240 V a.c. 50/60 Hz
Motor voltage:	24 V d.c.
Motor type:	Brushed DC gear motor
Motor no load speed (n0):	180 rpm
Packaging dimensions:	61 x 40 x 24cm
Gross weight:	Approx. 9,3Kg
Air hose dimensions:	OD 14mm, ID 10mm
Remote control battery:	12V MN21 battery

### Transportation and storage

The F-Machine comes in a sturdy carry case to keep your product neatly and discreetly packed away and out of sight of prying eyes. Always clean and inspect your F-Machine prior to packing and storing it for longer periods. Ensure that all components, attachments and toys are dry before placing them back into the storage case in the same configuration that they arrived in, in order to preserve your F-Machine in the best possible condition.

### Recycling and disposal



Waste and end-of-life electrical products should not be disposed of with your household refuse. Please use recycling facilities where they exist. Check with your local authority or consult your retailer for recycling advice.

## Limited Warranty

This product carries a limited warranty of 12 months starting from the day of purchase. Please retain your original receipt, which will be required as proof. The warranty excludes commercial use.

Refer to regional website for regional specific warranty.

### **This warranty specifically excludes losses due to:**

- Normal wear and tear including accessory wear
- Overload, misuse or neglect
- Failure of consumable items (such as batteries)
- Repairs attempted by anyone other than an authorised agent or competent qualified persons

- Any modification of the product away from the original specification
- Accidental damage caused by foreign objects or substances/liquids
- Failure to follow manufacturer's guidelines
- Transport damage
- Due to continuous product improvement, we reserve the right to change the product specification without prior notice.

This warranty does not affect your statutory rights. For further inquiries relating to the warranty please contact F-Machine or your retailer.

## Declaration of Conformity



We,  
F-Machine, Unit 860, 26 The Hornet, Chichester, West Sussex PO19 7BB,  
United Kingdom

Hereby declare that the equipment mentioned hereafter:

**Equipment:** F-Machine  
**Model Number:** F-Machine Tremblr/Tremblr Bluetooth  
**Serial Numbers:** FMT-, PS05

Complies with the essential health and safety requirements of the following directives:

2014/35/EU - Low Voltage Directive (LVD)

References to the following harmonised standards were made:  
EN62368-1:2014+A11:2017

2014/30/EU - Electromagnetic Compatibility (EMC)

References to the following harmonised standards were made:  
EN55032:2015, EN55035:2017, EN61000-3-2:2019, EN61000-3-3:2013+A1:2019  
ETSI EN 301 489-1 V2.2.3 (2019-11), ETSI EN 301 489-3 V2.1.1 (2019-03)  
ETSI EN 301 489-17 V3.2.4 (2020-09)

2014/53/EU - Radio Equipment Directive (RED)

References to the following harmonised standards were made:  
ETSI EN 300 220-1 V3.1.1 (2017-02), ETSI EN 300 220-2 V3.2.1 (2018-06)  
ETSI EN 300 328 V2.2.0 (2019-07), EN 62479:2010, EN 50663:2017

Authorised signatory and technical file holder:

F-Machine, Unit 860, 26 The Hornet, Chichester, West Sussex PO19 7BB,  
United Kingdom.

On: 26/08/2022

A handwritten signature in black ink that reads "John Lawrence".

John Lawrence, Quality Director

## Disclaimer

F-Machine is a FUN-Machine designed for fun use. Where that fun takes you is entirely up to you and entirely at your own risk. We at F-Machine accept no liability or responsibility whatsoever for injury or death caused as a result of the use of the F-Machine. As already stated in this manual, the F-Machine is very powerful and great care MUST be taken at all times when using it. If for any reason you are not happy with the F-Machine, then please return it unused in its original packaging within 14 days & you will be issued with a full refund.

## US Market - FCC ID Information

Remote Control (all models)

FCC ID: 2AN4K-REMOTE-1

Bluetooth Interface (Bluetooth model)

FCC ID: 2AN4K-BT-1

This device complies with part 15 of the FCC Rules. Operation is subject to the following two conditions:

1. This device may not cause harmful interference, and
2. this device must accept any interference received, including interference that may cause undesired operation.



Should you have any issues with your F-Machine or require spare parts, please contact your nearest F-Machine retailer or email us directly at [\*\*sales@f-machine.com\*\*](mailto:sales@f-machine.com)